

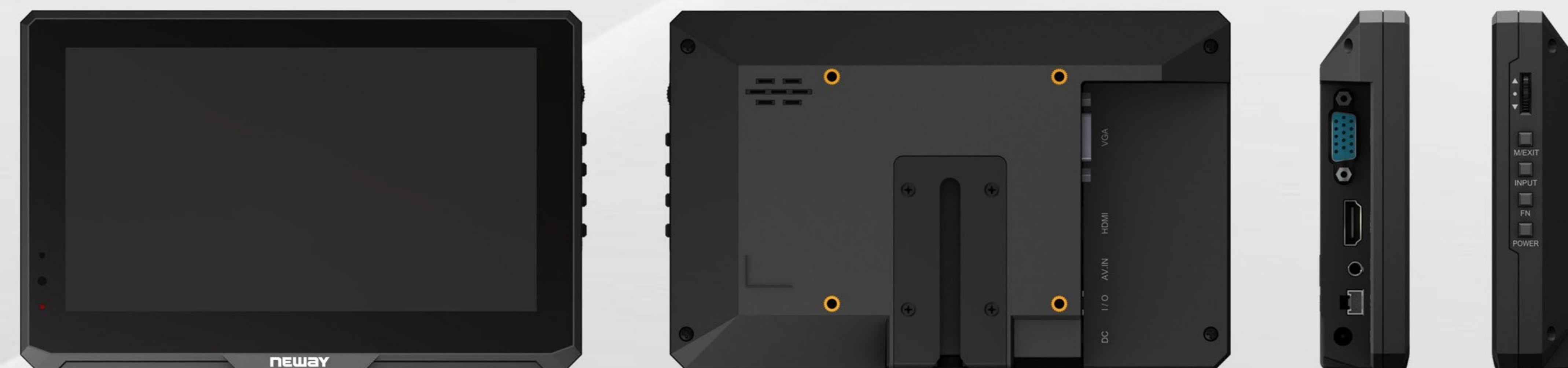
# 7" HDMI MONITOR WITH CAPACITIVE TOUCH FUNCTION

**CL70MT**  
**CL70M** (without touch function)

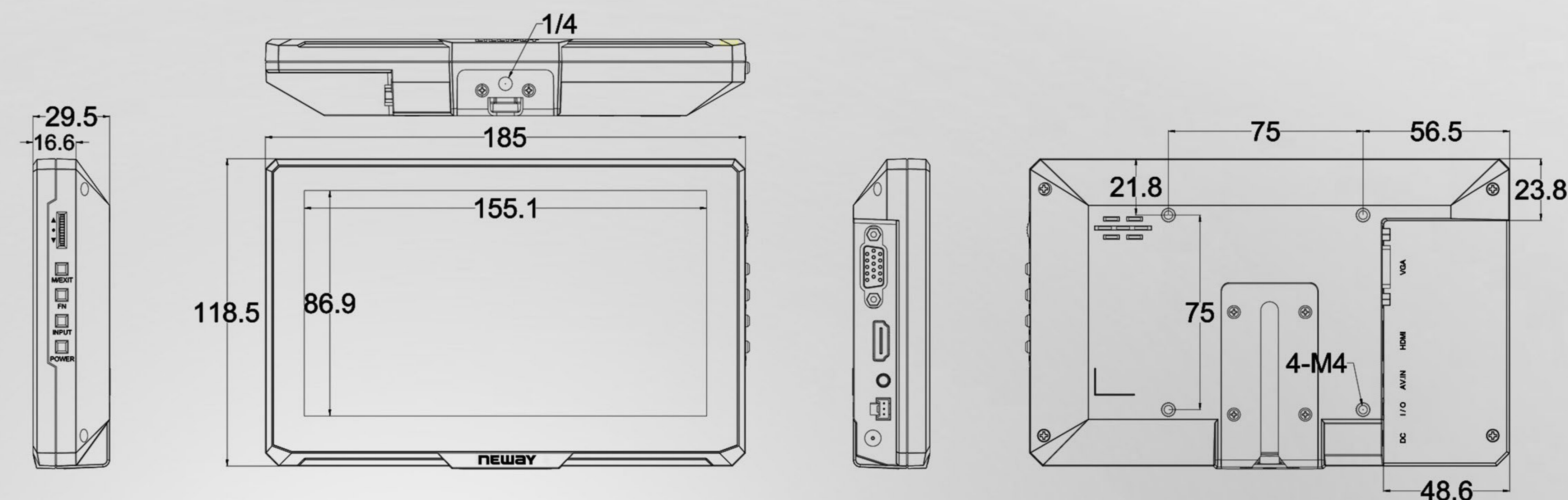


- > Multi-touch capacitive screen (OS: Windows 7 or above)
- > Lux auto brightness
- > Integrated dustproof front panel
- > I/O control interface
- > HDMI, DVI, VGA & AV inputs
- > High brightness: 800cd/m<sup>2</sup>
- > High contrast: 500:1

## APPEARANCE



## OUTLINE DIMENSION



## FEATURES



### LUX AUTO BRIGHTNESS (optional)

A light sensor designed to detect ambient lighting conditions adjusts the panel's brightness automatically, which makes viewing more conveniently & saves more power.



### I/O CONTROL INTERFACE

The interface has functions such as connecting with reverse trigger line in car reversing system, and control computer host to switch on/off, etc. Functions also can be customized to meet different demands.

## SPECIFICATIONS / ACCESSORIES

DISPLAY	Panel	7" LED backlight	<ol style="list-style-type: none"> <li>1. I/O control line 1piece</li> <li>2. VGA cable 1piece</li> <li>3. HDMI A/A cable 1piece</li> <li>4. AV input cable 1piece</li> <li>5. Remote control 1piece</li> <li>6. Bracket 1piece</li> <li>7. 12V DC adapter 1piece</li> <li>8. Car power 1piece</li> <li>9. Manual 1 copy</li> <li>10. HDMI to DVI cable (optional) 1piece</li> <li>11. 75mm VESA folding bracket (optional) 1piece</li> <li>12. VESA battery bracket &amp; battery plate (optional) 1piece</li> </ol>
	Touch Panel	Capacitive Touch (optional)	
	Physical Resolution	800 x 480 8bit	
	Aspect Ratio	16:9	
	Brightness	800cd/m <sup>2</sup>	
	Contrast	500:1	
	Viewing Angle	140° /120° (HM)	
INPUT	HDMI	1	
	VGA	1	
	DVI	1 (optional)	
AUDIO	Composite	1	
	I/O port	1	
POWER	Speaker	1	
	Current	450mA	
	Input Voltage	DC 7-36V	
ENVIRONMENT	Battery	External (optional)	
	Power Consumption	≤4.5W	
	Operating Temperature	-20°C~60°C	
OUTLINE DIMENSION	Storage Temperature	-30°C~70°C	
	Dimension(LWD)	185 x 118.5 x 29.5 mm	
	Weight	415g	



Note: Due to constant effort to improve products and product features, specifications may change without notice.

